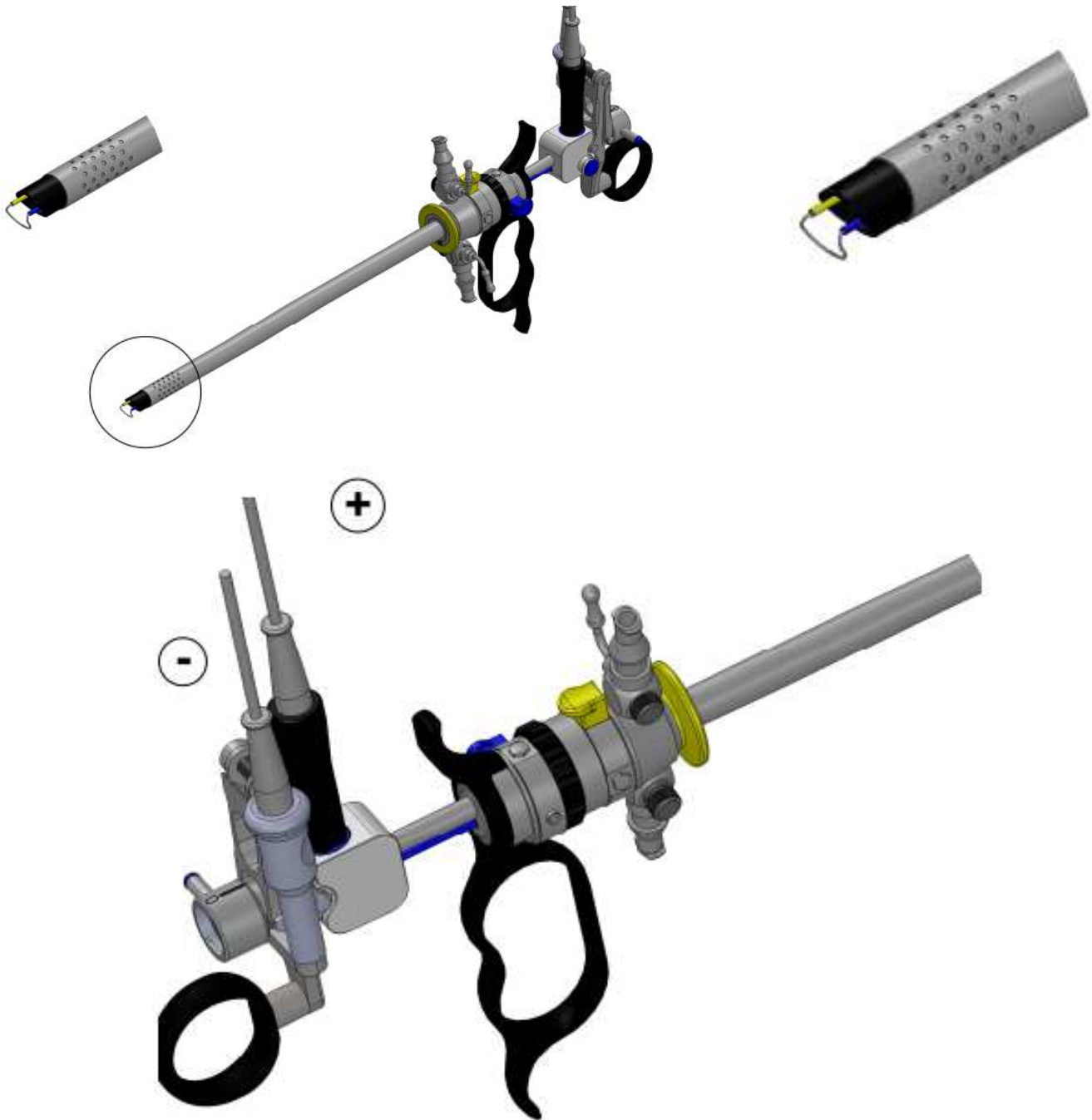
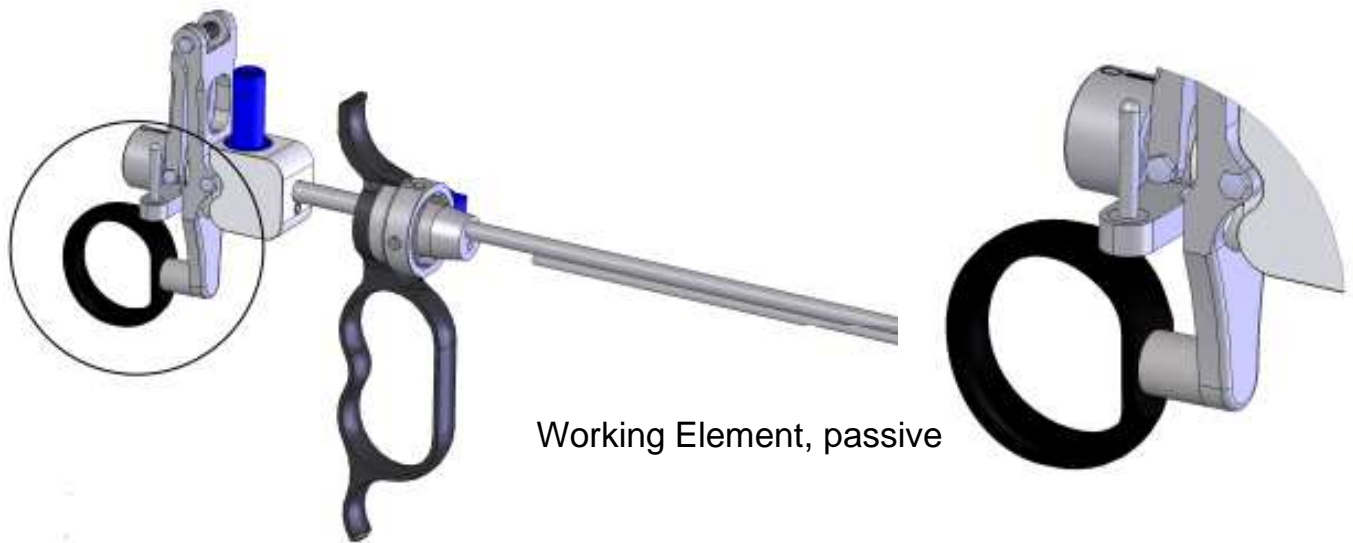


Bipolar Resectoscopy





Working Element, passive

Cat.-No.	Picture	Description
24-4000-00		Bipolar Resectoscope working element; passive; with quick-lock
24-4003-00		Bipolar Resectoscope working element; active; with quick-lock
24-4004-00		Inner sheath, rotatable 24/26 Ch. Color code yellow
24-4005-00		Outer sheath, rotatable 26 Ch, perforation round, QL Color code yellow



Working Element, active

Cat.-No.	Picture	Description
24-4006-00		Obturator, standard 24Ch, quick lock Color code yellow
24-4007-00		Visual obturator 24/26Ch with 6Ch working channel, quick lock
24-4008-00		Visual obturator 24/26Ch, quick lock
24-4017-00	without picture	Resektoscope working element passive; for Saline Resektoscope; bayonett-lock
24-4018-00	without picture	Resektoscope working element; active for Saline Resektoscope; bayonett-lock
24-4019-00	<div style="display: flex; justify-content: space-around;"> <div style="text-align: center;"> <p>Resctoscope</p> </div> <div style="text-align: center;"> <p>HF-Generator</p> </div> </div>	HF-Bipolar Resectoscope-Cable for Martin Maximum HF-Generator; length 3 m, Plug Dia. 7,8 mm
24-4020-00	<div style="display: flex; justify-content: space-around;"> <div style="text-align: center;"> </div> <div style="text-align: center;"> </div> </div>	HF-Bipolar Resectoscopy-Cable Erbe/Vio Generator; length=3m, Plug Dia. 12.3 mm
24-4021-00	<div style="display: flex; justify-content: space-around;"> <div style="text-align: center;"> </div> <div style="text-align: center;"> </div> </div>	HF-Bipolar Resectoscope-Connection Cabel / Valleylab 2-pol, length 3m/ max. 0,8 kVp



Cat.-No.	Picture	Description
24-4001-00		Bipolar cutting electrode 30°, wire 0,35mm ; 24 Ch for Saline-Resectoscope, 0,9% NaCl, Color yellow-blue
24-4009-00		Bipolar cutting electrode 30°, wire 0,40mm , 24Ch, for Saline-Resectoscope, 0,9% NaCl, Color yellow-blue
24-4010-00		Bipolar cutting electrode 30° PI-Cut ; 24 Ch for Saline-Resectoscope, 0,9% NaCl, Color yellow-blue
24-4011-00	without picture	Bipolar cutting electrode, straight, wire 0,40mm , 24CH;30° for Saline-Resectoscope, 0,9 NaCl, Color yellow-blue
24-4012-00		Bipolar cutting electrode 24Ch; 90°, for saline-Resectoscope, 0,9 NaCl, Color yellow-blue
24-4013-00		Knife electrode 24Ch, Collins, for Saline Resectoscope 0,9% NaCL yellow/blue
24-4014-00		Bipolar ball electrode; coagulation; 24CH for Saline Resectoscope 0,9% NaCl yellow/blue
24-4015-00		Bipolar barrel electrode; coagulation; 24CH for Saline Resectoscope 0,9% NaCl yellow/blue
24-4016-00	without picture	Bipolar vaporisation electrode 3 mm for Saline Resectoscope 0,9%NaCl yellow/blue